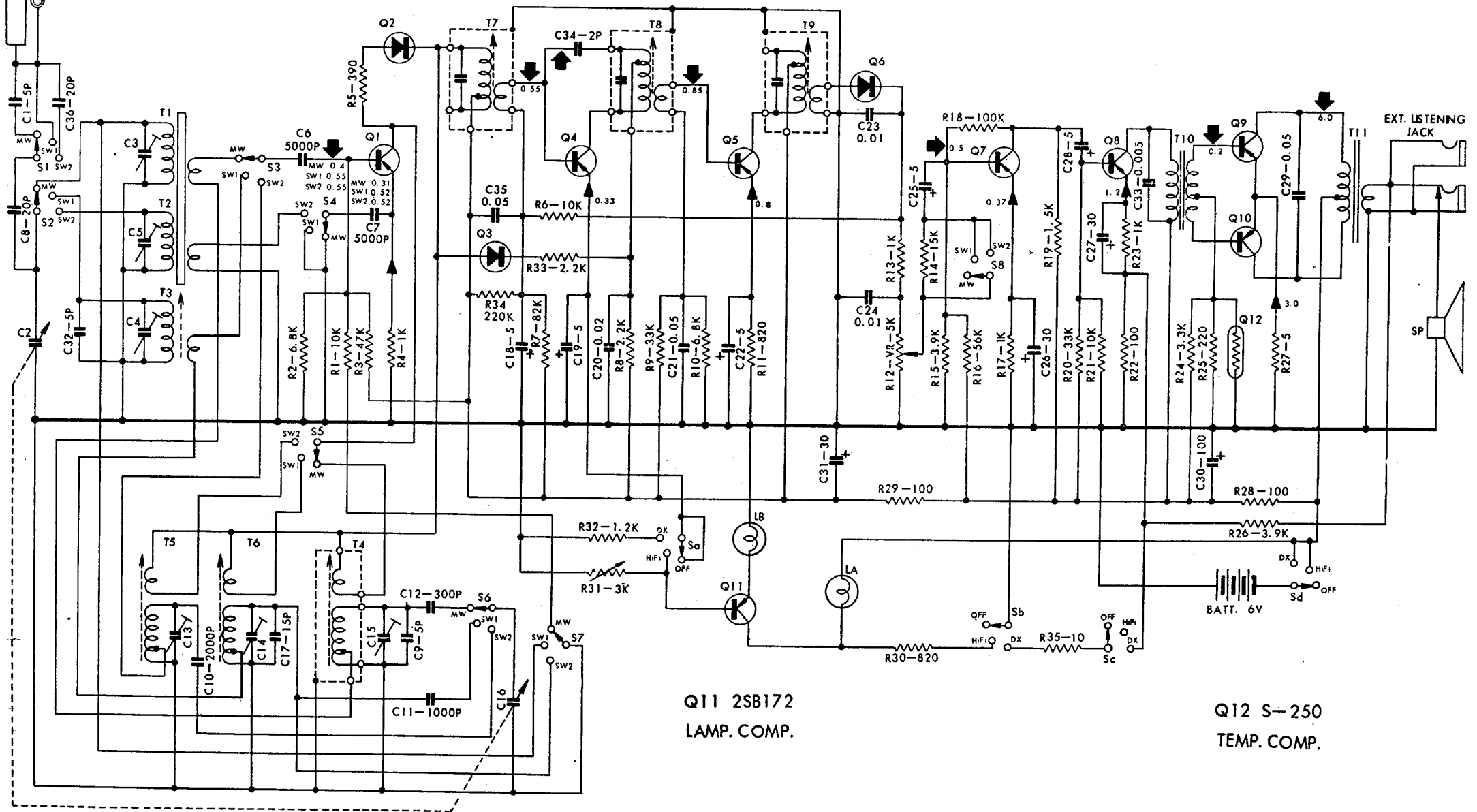


ROD ANT. Q1 2SA103 Q2 OA70 Q3 OA70 Q4 2SB101 Q5 2SA101 Q6 OA70 Q7 2SB175 Q8 2SB175 Q9, 10 2SB172×2
 EXT. ANT. CONV. OSC. COMP. AGC COMP. IFA-1 IFA-2 DET. AFA-1 AFA-2 OUTPUT



Q11 2SB172
 LAMP. COMP.

Q12 S-250
 TEMP. COMP.